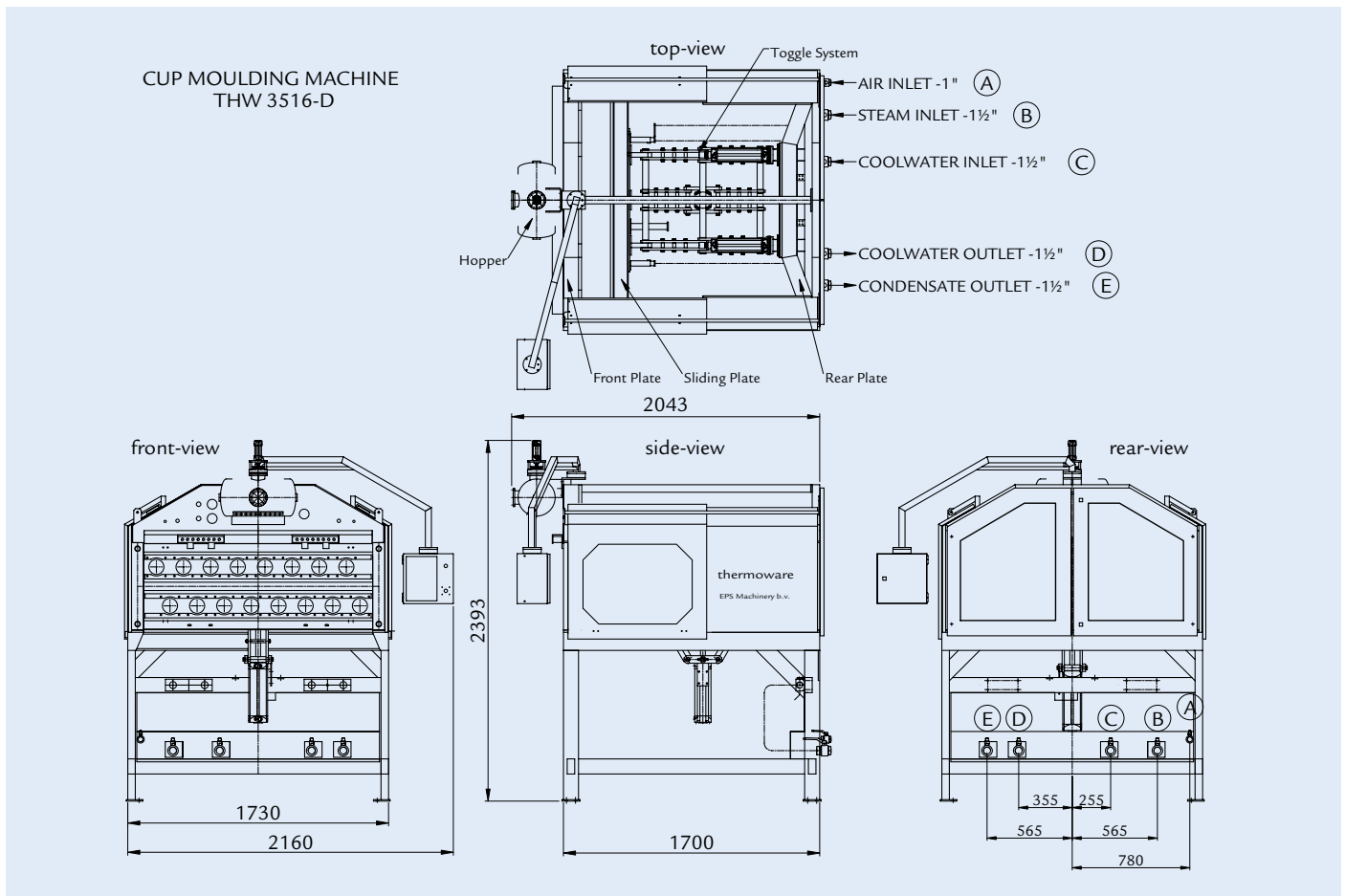




The THW 3516 D cup moulding machine is the absolute best in terms of reliability and flexibility. This fully automatic machine produces cups in a very economic way and with reduced energy consumption. The Thermoware THW 3516 D can hold up to 16 moulds, rendering it possible to produce various cup models in one run. Maximum reliability and flexibility go hand in hand with high production speed and optimum safety. The versatile THW 3516 D requires little maintenance, can be easily connected to a modem and linked to stackers and transport systems.



**UNIVERSAL MOULDING MACHINE  
THW 3516 D**



## Technical data on the THW 3516 D Universal Moulding Machine

### THE THW 3516 D MOULDING MACHINE

Automatic horizontal moulding machine for cups and containers.

Maximum mouldplates area 1500 x 300 mm (2x). Maximum mould positions 16 by a product diameter of max. 95 mm.

- Automatic hopper loading system
- Pressure fill system
- Plc control cabinet with digital front panel
- Mould clamping by toggle lever system
- Reed contact limit switches

### Specifications

Steam pressure	min 7 bar
Steam consumption	450-550 kg/h
Steam connection	1½ "
Cooling water pressure	min. 4- 4,5 bar
Cooling water temperature	35-40 °C
Cooling water flow at 4 bar	4 - 4,5 liter / sec
Cooling water connection	1½ "
Air pressure	min. 7 bar
Air consumption	1 - 1,5 m <sup>3</sup> / min.
Air connection	1 "
Electricity supply	100-240 VAC 50/60Hz 1 ph + N + FG
Electricity rated power	0,3 kW



**thermoware**  
EPS Machinery b.v.