

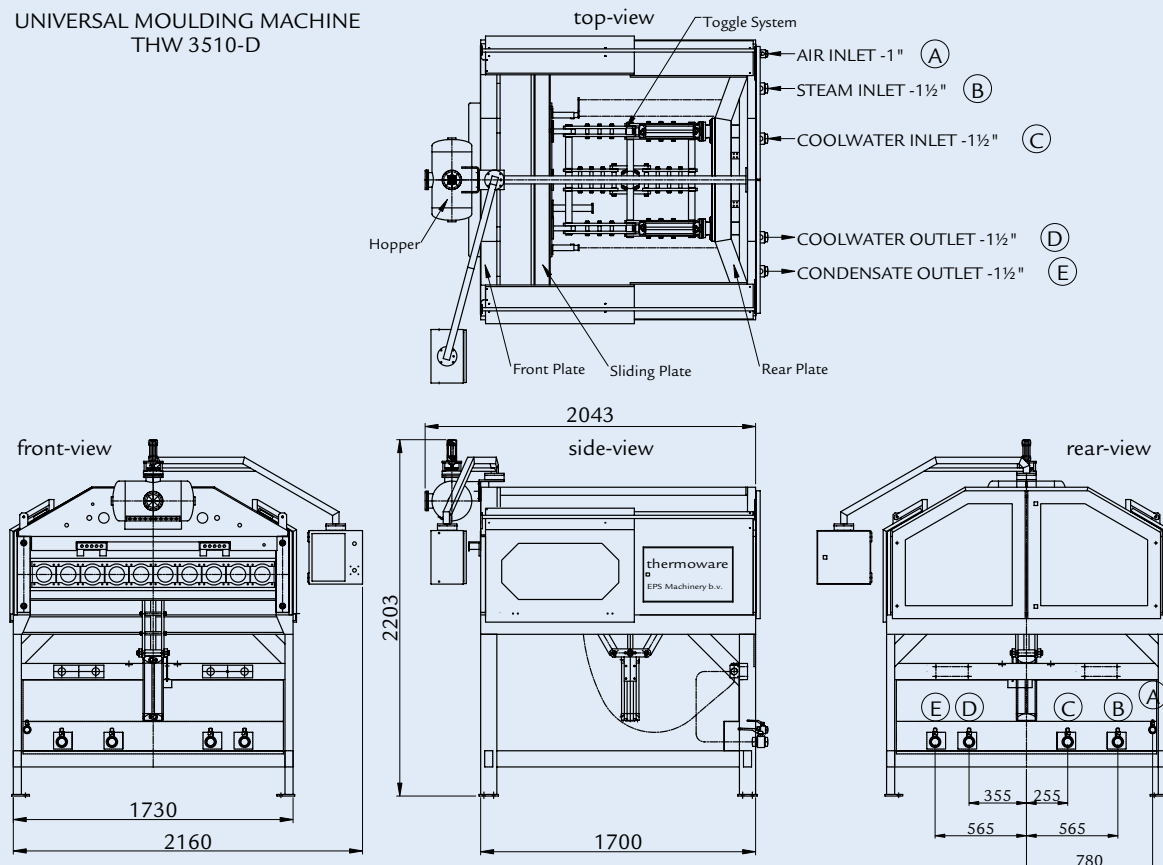


The THW 3510 D universal moulding machine is the absolute best in terms of reliability and flexibility. This fully automatic machine produces cups, dishes, boxes and other thinwalled packaging products in practically any form you might want. The Thermoware THW 3510 D can hold up to 10 moulds, rendering it possible to produce various models in one run. Maximum reliability and flexibility go hand in hand with high production speed and optimum safety. The versatile THW 3510 D requires little maintenance, can be easily connected to a modem and linked to stackers and transport systems.



**UNIVERSAL MOULDING MACHINE
THW 3510 D**

UNIVERSAL MOULDING MACHINE
THW 3510-D



Technical data on the THW 3510 D Universal Moulding Machine

THE THW 3510 D MOULDING MACHINE

Automatic horizontal moulding machine for cups, food trays, containers and packaging.

Max. mouldplate area 1500 x 300 mm.

Max. mould positions 10 by a product diameter of max. 95 mm.

- Automatic hopper loading system
- Pressure fill system
- Plc control cabinet with digital front panel
- Mould clamping by toggle lever system
- Reed contact limit switches

Specifications

Steam pressure	min. 7 bar
Steam consumption	400-450 kg/h
Steam connection	1 1/2"
Cooling water pressure	min. 4-4,5 bar
Cooling water temperature	35-40°C
Cooling water flow at 4 bar	3-3,5 ltr/sec
Cooling water connection	1 1/2"
Air pressure	min. 7 bar
Air consumption	0,8-1.0 m ³ /min.
Air connection	1"
Electricity supply	100-240 VAC, 50/60Hz 1ph + N + FG
Electricity rated power	0,3 kW



thermoware
EPS Machinery b.v.